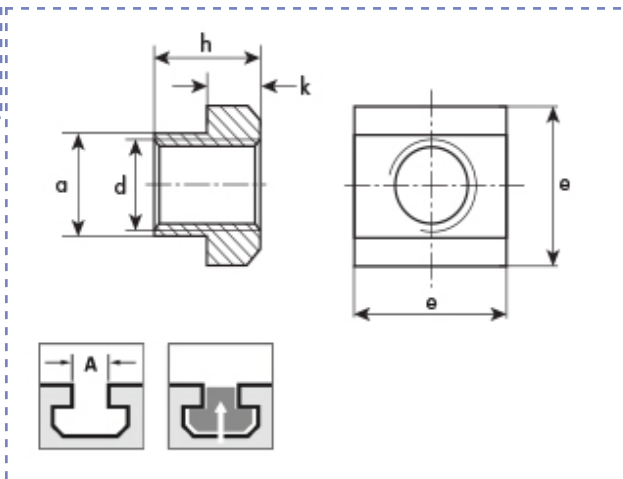


**Metallic screws and nuts**

**MATERIAL: GRADE 8**  
 Grade 8, C 45 + C or equivalent  
 Example of designation:  
 DT 5 x M4 G8



T-slot nuts, T-slot nuts profile  
**DT - T-slot nuts long DIN 508**



Description	Price VATexcl. euro/100	% Price Change		Package	d	A	a	e	h	k
<b>10 x M 8</b>	<b>on demand</b>	-	-	-	M 8	10	9,6	15	12	6

Technical informations are indicative and can be updated.

Copyright Gandini Fasteners S.r.l. All rights reserved. No part of this web site may be reproduced in any form without express permission.

**GANDINI FASTENERS SRL** viale Pier Paolo Pasolini, 83 - 20099 Sesto S.Giovanni Milano Italy  
 Tel. +39 02 241 047 250 Fax +39 02 241 047 74

Production and distribution  
 of fasteners, fixing elements  
 and mechanical parts  
 machining

**GANDINI FASTENERS SRL**  
 viale Pier Paolo Pasolini, 83  
 Sesto San Giovanni Mi - Italy

**Sales department**  
 250@gandini.it  
 tel +39 02 241 047 250

**Administration**  
 350@gandini.it  
 tel +39 02 241 047 350