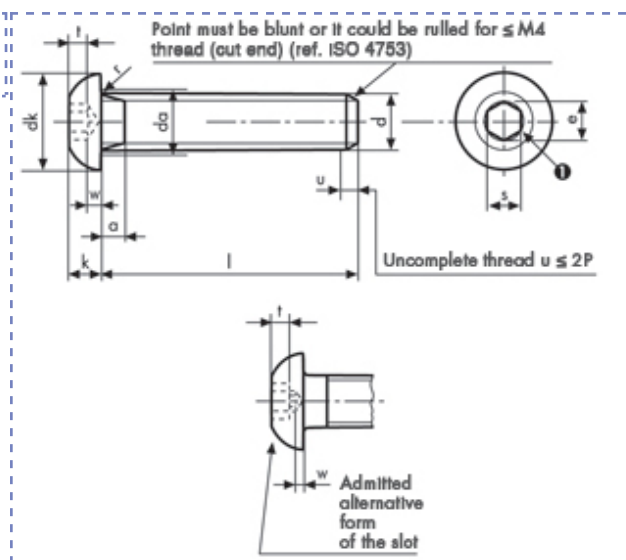


Metallic screws and nuts

1) A light rounding-off or a countersink between the head and the hexagon socket is allowed.



Hexagonal socket button head screws
ISO 7380
Class 10.9 Zinc plated



Description	Price VATexcl. euro/100	% Price Change		Package	d mm	L mm
		1	2			
M 10 X 30 ZINCATE	29,60	+ 60%	-	1	M10	30

M 10 X 30 ZINCATE		dk	max	17.5	r	min	0.4	
p	1.5		min	17.07		nom	6	
a	max	3	e	min	6.863	s	max	6.14
	min	1.5	k	max	5.5		min	6.02
da	max	11.2		min	5.2	t	min	3.12
						w	min	1.45

Technical informations are indicative and can be updated.

Copyright Gandini Fasteners S.r.l. All rights reserved. No part of this web site may be reproduced in any form without express permission.

GANDINI FASTENERS SRL viale Pier Paolo Pasolini, 83 - 20099 Sesto S.Giovanni Milano Italy
 Tel. +39 02 241 047 250 Fax +39 02 241 047 74

Production and distribution
 of fasteners, fixing elements
 and mechanical parts
 machining

GANDINI FASTENERS SRL Sales department
 viale Pier Paolo Pasolini, 83 250@gandini.it
 Sesto San Giovanni Mi - Italy tel +39 02 241 047 250

Administration
 350@gandini.it
 tel +39 02 241 047 350