

**PLASTIC CLAMPS, HAND WHEELS**

**AMATERIAL**

reinforced polyamide

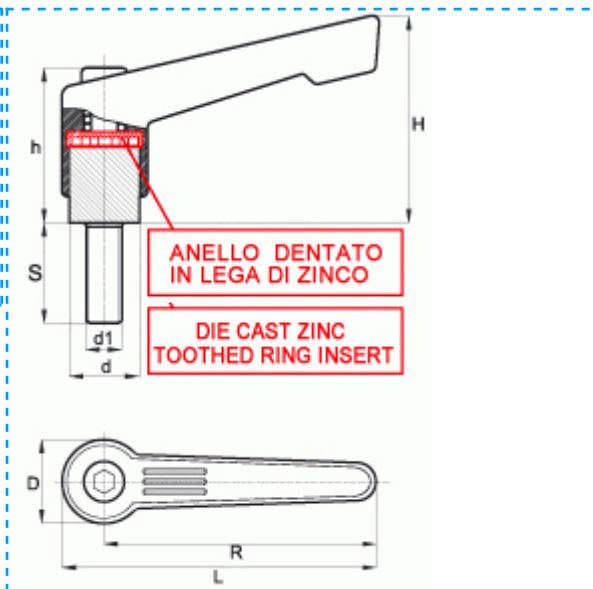
**STEEL PARTS**

gun metal finish / stainless steel

**COLOUR**

black RAL 9005 - on request orange RAL 2004

**Bush in galvanized steel**



**S040**  
ADJUSTABLE CLAMPS  
REINFORCED with  
threaded



Code	Price VATexcl. euro cad.	% Price Change 1 2	Package	L	R	H	D	d	h	d1	S	
36.0004.042040032	<b>M432-S040</b>	<b>5,50</b>	+ 60%	-	10	49	42	33,5	14	10	24,5	M 4 32

Technical informations are indicative and can be updated.

Copyright Gandini Fasteners S.r.l. All rights reserved. No part of this web site may be reproduced in any form without express permission.

**GANDINI FASTENERS SRL** viale Pier Paolo Pasolini, 83 - 20099 Sesto S.Giovanni Milano Italy  
Tel. +39 02 241 047 250 Fax +39 02 241 047 74

Production and distribution  
of fasteners, fixing elements  
and mechanical parts  
machining

**GANDINI FASTENERS SRL**  
viale Pier Paolo Pasolini, 83  
Sesto San Giovanni Mi - Italy

**Sales department**  
250@gandini.it  
tel +39 02 241 047 250

**Administration**  
350@gandini.it  
tel +39 02 241 047 350