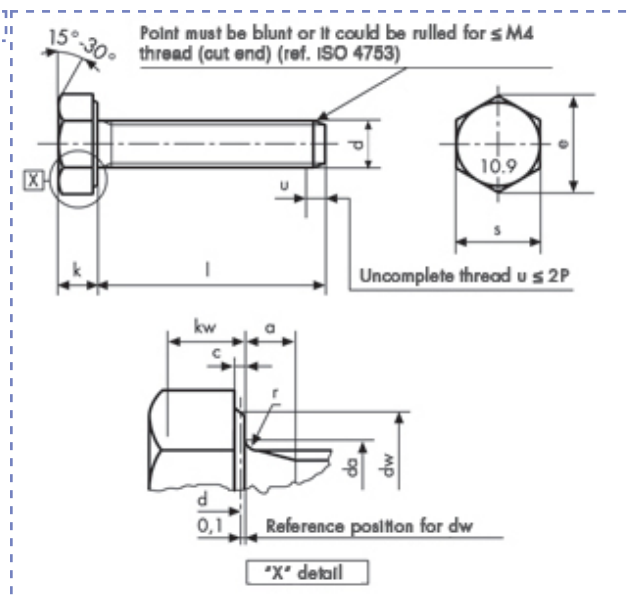


Metallic screws and nuts



Hexagonal head screws
ISO 8676- UNI 5740
DIN 961
 totally threaded
 Class 10.9



Description	Price VATexcl. euro/100	% Price Change 1	2	Package	d mm	L mm
M 12 X 45	on demand	-	-	1	M12	45

M 12 X 45	da	max	13.7	kw	min cat. A	5.12	
p	1.25	dw	min cat. A	17.4	r	min	0.6
a	max	4	e	min cat. A	21.1	s	max
	min	1.25		nom	7.5		
c	max	0.6	k	min cat. A	7.32		
	min	0.15		max cat. A	7.68		

Technical informations are indicative and can be updated.

Copyright Gandini Fasteners S.r.l. All rights reserved. No part of this web site may be reproduced in any form without express permission.

GANDINI FASTENERS SRL viale Pier Paolo Pasolini, 83 - 20099 Sesto S.Giovanni Milano Italy
 Tel. +39 02 241 047 250 Fax +39 02 241 047 74

Production and distribution
 of fasteners, fixing elements
 and mechanical parts
 machining

GANDINI FASTENERS SRL Sales department
 viale Pier Paolo Pasolini, 83 250@gandini.it
 Sesto San Giovanni Mi - Italy tel +39 02 241 047 250

Administration
 350@gandini.it
 tel +39 02 241 047 350